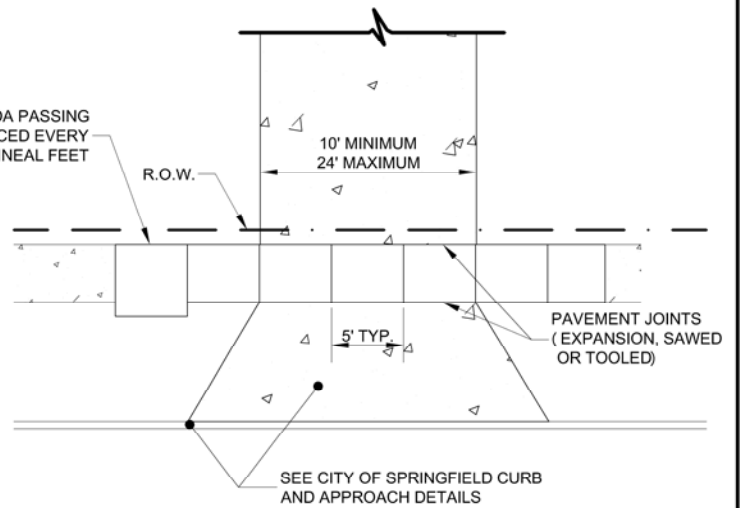


TYPICAL LOCAL STREET SIDEWALK SECTION

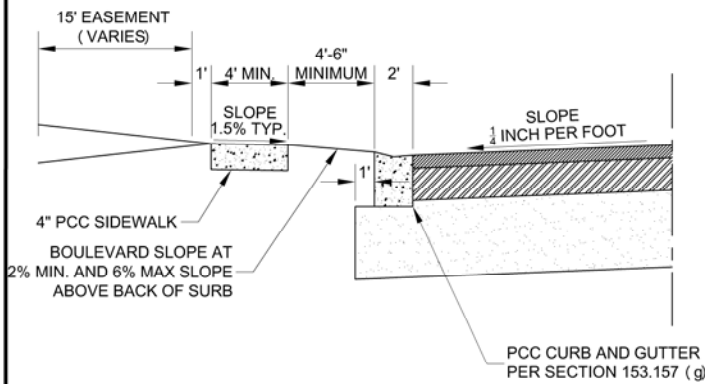
N.T.S.

TYPICAL 5' X 5' ADA PASSING AREA TO BE PLACED EVERY 200 LINEAL FEET



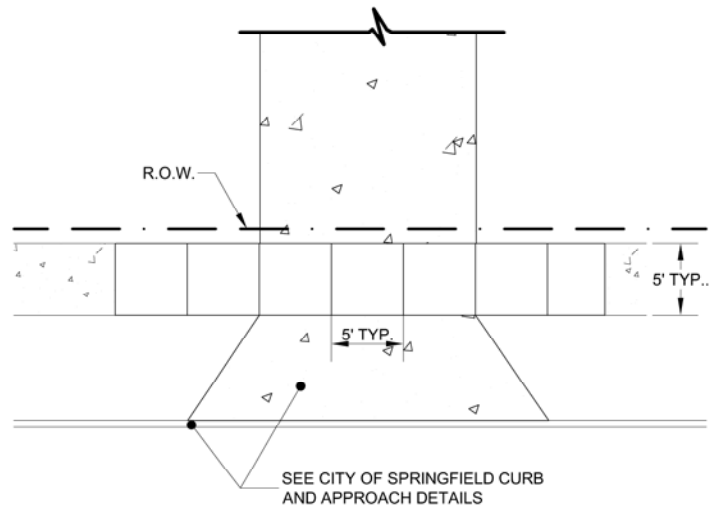
TYPICAL LOCAL STREET PLAN VIEW

N.T.S.



TYPICAL ARTERIAL STREET SIDEWALK SECTION

N.T.S.



TYPICAL ARTERIAL STREET PLAN VIEW

N.T.S.

GENERAL NOTES

1. THE RECOMMENDED CROSS SLOPE FOR SIDEWALK IS 1.5%. IN NO CASE SHALL IT EXCEED 2.0% PER ILLINOIS ACCESSIBILITY CODE AND AMERICANS WITH DISABILITIES ACT REGULATIONS.
2. SIDEWALK, PAVEMENT, AND CURB AND GUTTER CONSTRUCTION SHALL BE IN ACCORDANCE WITH ALL IDOT STANDARDS AND SPECIFICATIONS.
3. CONCRETE FOR SIDEWALKS SHALL BE IDOT CLASS SI.
4. NO OBSTRUCTIONS ARE ALLOWED WITHIN THE LIMITS OF THE SIDEWALK.
5. CONTACT PUBLIC WORKS AT 217.789.2255 WITH QUESTIONS AND FOR INSPECTIONS.
6. FOR CONSTRUCTION OF DRIVEWAY APPROACHES, SEE CITY OF SPRINGFIELD DETAILS RESIDENTIAL AND COMMERCIAL DRIVE APPROACHES AND FOR CURB AND GUTTER.

LAYOUT:	
SIDEWALK	
PLOT SCALE: 0.5:1	
PLOT DATE: 19/05/2020	
NCS.ctb	